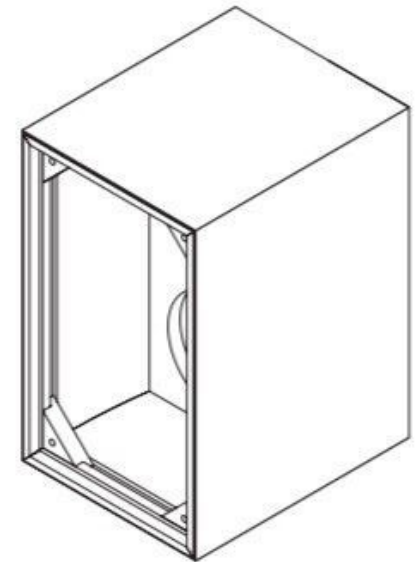
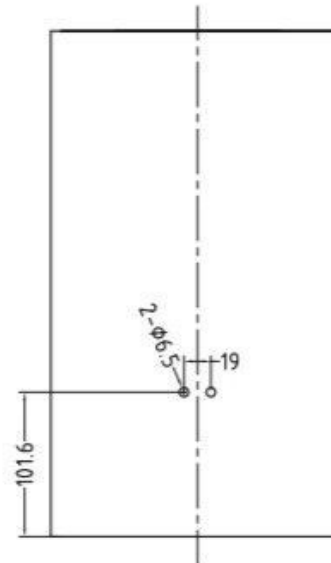
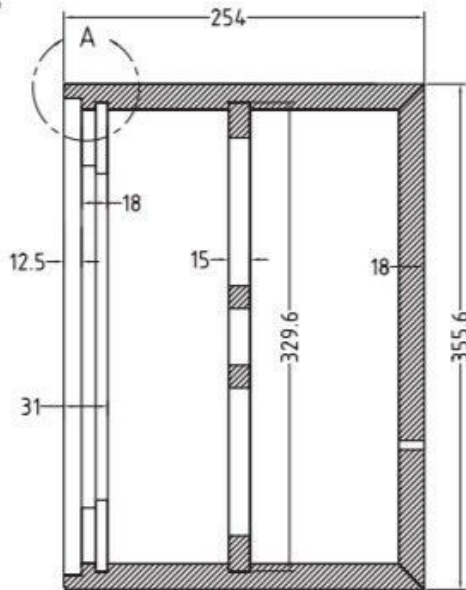
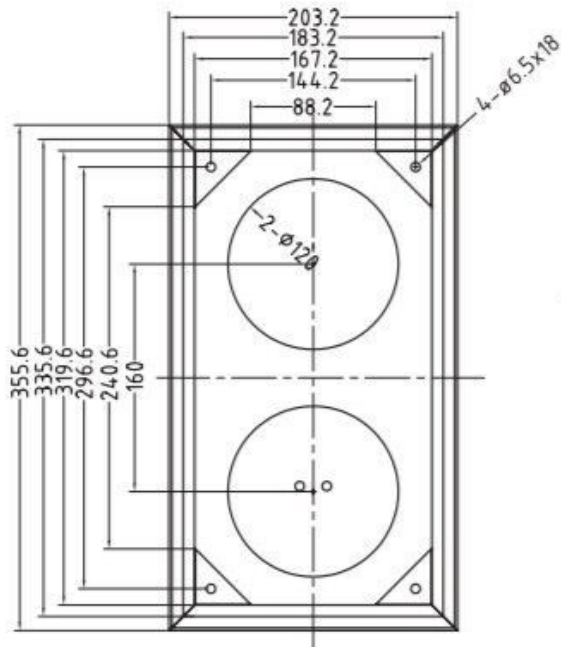


A section



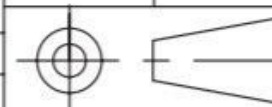
Note:

1. Net internal volume 11 liters (0.387 ft³)
2. Brace is made of 15mm MDF, the rest 18mm MDF
3. Tolerance is ± 0.2 mm
4. Available in high gloss black (BK), cherry veneer (CH), and maple veneer (MA)
5. Replacement baffles and grills also available



© Dayton Audio® 2008

RevNo	Revision note	Date	Signature	Checked	Approved	Designed by	Checked by	Approved by	Date	Scale	Edition
1:						AH	BKM	KK	2/2008	None	A
2:											
3:											
4:											



Model: TW-0.38
Name: .38 ft³ Cabinet

Unit: mm
Sheet: 1 of 8