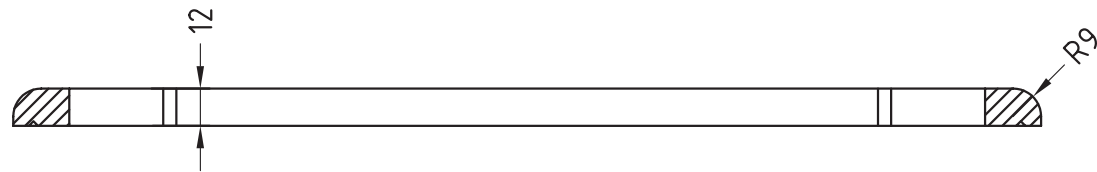


Note:
 1. Baffle is made of 25mm MDF
 2. Surface treatment - semi-black lacquer
 3. Tolerance is ±0.2mm



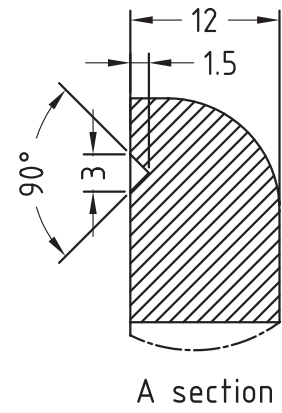
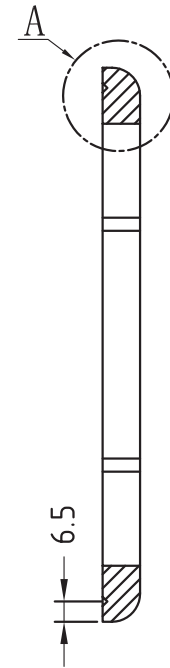
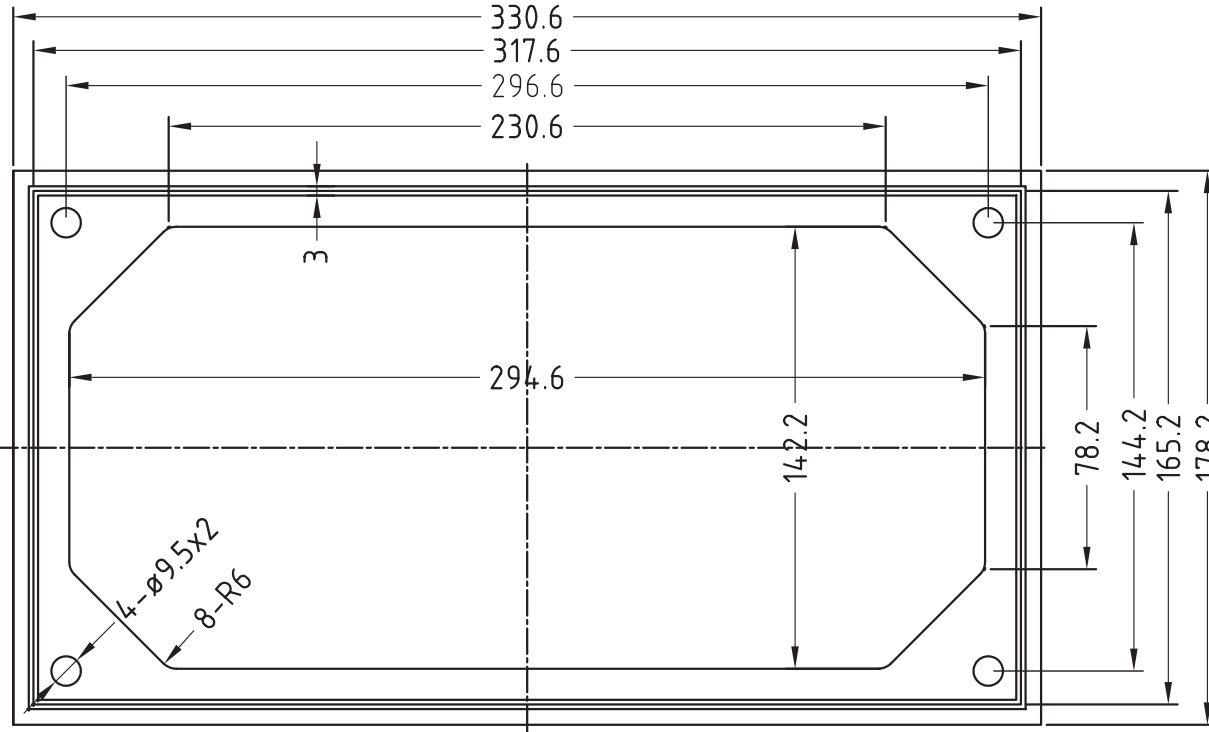
© Dayton Audio® 2008

| RevNo | Revision note | Date | Signature | Checked | Approved | Designed by | Checked by | Approved by | Date | Scale | Edition |
|-------|---------------|------|-----------|---------|-----------------|-------------|------------|---|--------|-------|------------|
| 1: | | | | | | AH | BKM | KK | 2/2008 | None | A |
| 2: | | | | | | | | Model: MB38 Name: Baffle for .38 ft ³ Cabinet | | | Unit mm |
| 3: | | | | | Sheet 2 of 3 | | | | | | |
| 4: | | | | | | | | | | | |



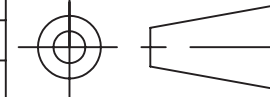
Note:

1. Speaker frame is made of 12mm MDF
2. Frame surface treatment - semi-black lacquer
3. Covered in black speaker cloth
4. Neodymium magnet grill fasteners
5. Magnets line up with screws on baffle
6. Tolerance is $\pm 0.2\text{mm}$



© Dayton Audio® 2008

| RevNo | Revision note | Date | Signature | Checked | Approved | Designed by | Checked by | Approved by | Date | Scale | Edition |
|-------|---------------|------|-----------|---------|----------|-------------|------------|-------------|--------|-------|---------|
| 1: | | | | | | AH | BKM | KK | 2/2008 | None | A |
| 2: | | | | | | | | | | | |
| 3: | | | | | | | | | | | |
| 4: | | | | | | | | | | | |



Model: MG38
 Name: Grill for .38 ft³ Cabinet
 Unit: mm
 Sheet: 3 of 3